

Connection of Gas Supply to Heater

- A. Turn gas supply off at storage tank.
- B. All male pipe joints should be treated with a sealing compound resistant to the action of liquidified Petroleum Gases.
- C. Connect the Gas Supply line to the heater controls.
- D. Turn on Gas Supply to heater and check all connections for leaks.
 1. Apply a soapy water solution to each joint.
 2. If there is a leak, bubbles will form and burst.
 3. Correct all leaks immediately.

Installation of Wall Thermostat

For Model Numbers GT-10W; GT-10W-RV; and GT-10W-LV, it will be necessary to install the wall thermostat.

- A. Place the thermostat approximately five feet above the floor on an inside wall.
- B. Do not locate thermostat where it will be affected by outside sources of heat, such as light bulbs, television; etc. Plan to conceal the wiring if possible.
- C. Refer to Fig. 5 for wiring connections to the valve.

Lighting Instructions

If heater is thermostatically controlled, set thermostat to its lowest position. (Refer to card packed with the thermostat.)

- A. Push in on manual valve and turn to "Off" wait 5 minutes before lighting.
- B. Turn manual valve to "Pilot"
- C. Remove lighter cap, hold lighted match to burner tip and push in manual valve.
- D. Hold until pilot remains lit. (Approx. 45 sec)

- E. Turn manual valve to "on".
- F. Set thermostat for desired temperature.
- G. To shut down turn manual valve to "Pilot" position, push in and turn to "Off" position.
- H. After lighting pilot, replace lighter cap.

Primary Air Adjustment

- A. Replace lighter cap with Mica window cap supplied.
- B. Observe burner through Mica window.
- C. Turn air adjustment bolt either clockwise or counter clockwise until the burner flame is a series of sharp blue cones.
- D. After adjusting the air, replace the Mica window cap with the lighter cap.

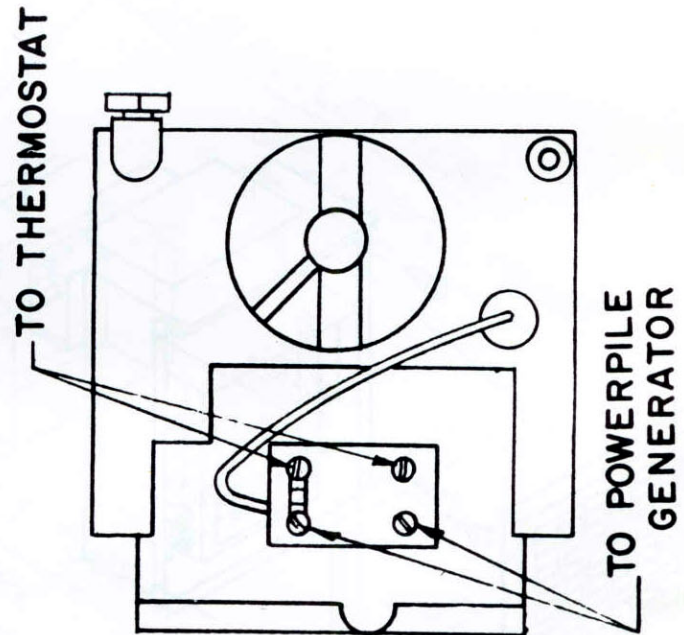


Figure 5