

## CUTTING THE OPENING

- After selecting the desired location, check for wires, pipes, etc. which would interfere with the installation.
- Cut the opening through the inside cabinet as shown in Fig. 1.
- The 15" x 15" opening is cut through the inside wall only. The 8-5/8" x 9-1/4" opening is for the recessed vent and is cut through the outside wall only.

## INSTALLING THE HEATER

- Install the heater into the 15" x 15" opening with the bottom of the rough-in box resting on the bottom of the opening.
- Secure the heater to the wall with screws from parts bag.
- Assemble heater front to heater by engaging hinges welded to front over hinge pins welded to rough-in box.

## MINIMUM CLEARANCES

Bottom of heater to floor .....	3/8"
Top of heater to ceiling .....	30"
Side of heater to wall .....	3-1/4"
Back of heater rough-in box to nearest rear wall .....	1"
Max. wall thickness .....	29-1/2"
Min. wall thickness .....	20-3/4"
Vent to nearest corner .....	6"
Vent to any top overhang .....	30"
Side and bottom of vent tube to wall inside cabinet .....	4"
Over top of cabinet .....	0"

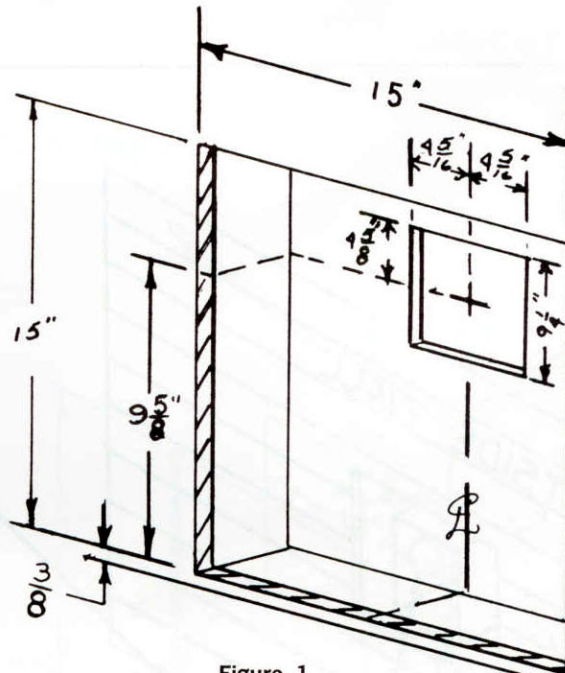


Figure 1

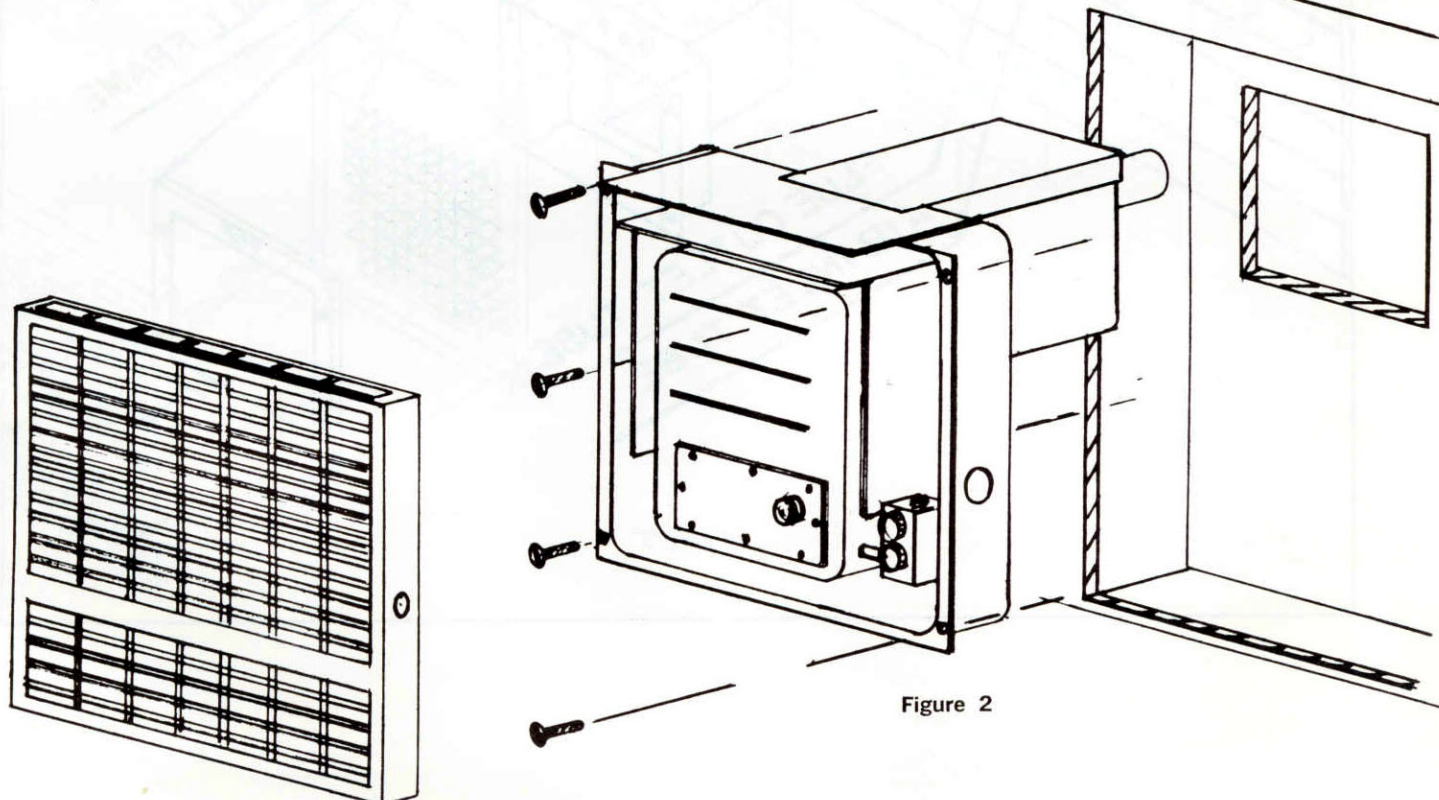


Figure 2