

COLOR CODE FOR WIRE CONNECTIONS

- BLUE WIRES—THERMOSTAT
- BLACK WIRE—115 VOLT (if equipped)
- WHITE WIRE—115 VOLT (if equipped)
- RED WIRE—12 VOLT DC (+)
- YELLOW WIRE—12 VOLT DC (-)

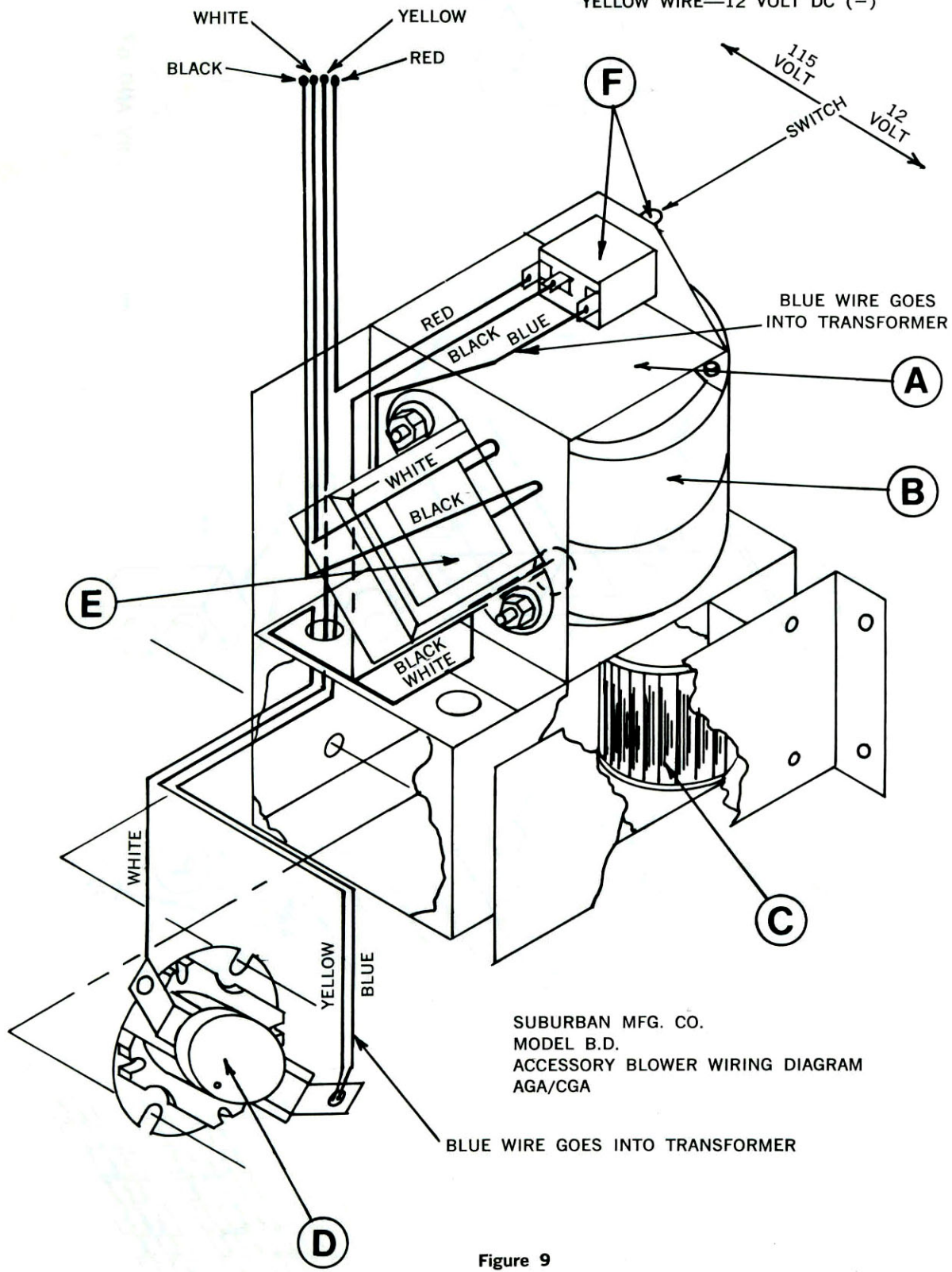


Figure 9