



ENGINEERING DATA



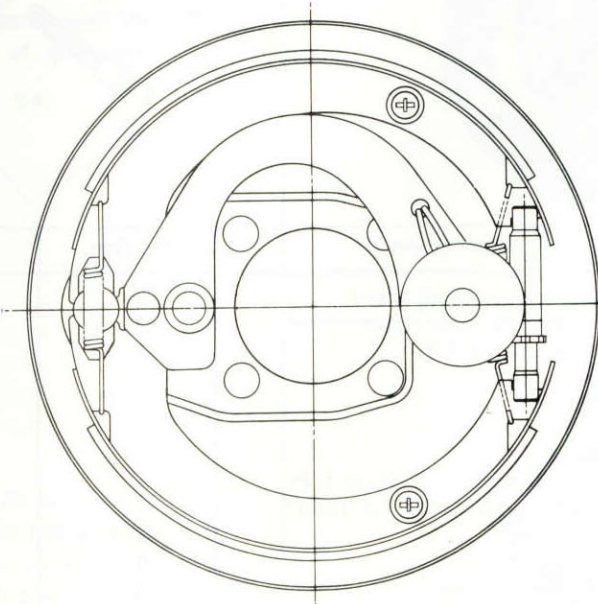
PRODUCT NO. 1102-15 CONSISTS OF ITEMS 1, 2 AND 3 (FOR REPLACEMENT PART SEE REVERSE SIDE)

ITEM	PART NUMBER	PART NAME	REQ'D
1	1102-170-013	BRAKE ASSEMBLY R.H.	1
2	1102-170-014	BRAKE ASSEMBLY L.H.	1
3	1102-100-001	ACCESSORY - BRAKE MTG	1
	950-0356	LOCKWASHER 7/16	8
	661-0028	NUT - HEX 7/16 - 20	8

PRODUCT NUMBER
1102-15

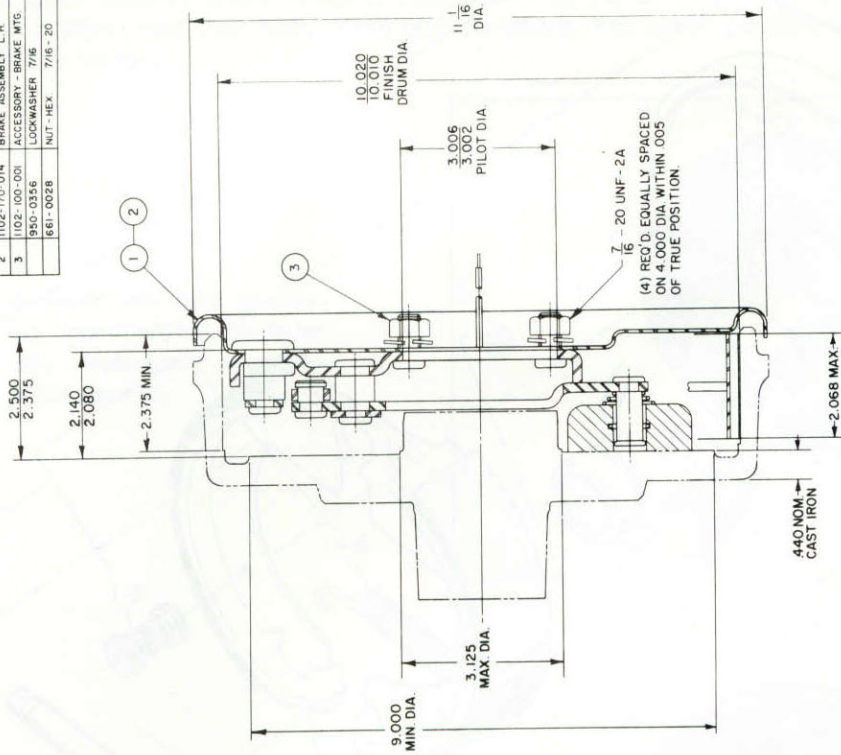
10 X 2 TRAVEL TRAILER BRAKE
12 - VOLT

BRAKE RATING - 3500 * / PAIR



FACE VIEW OF BRAKE ASSEMBLY
(DRUM REMOVED)

RIGHT HAND BRAKE SHOWN
LEFT HAND BRAKE OPPOSITE



NOTE: IF STEEL ARMATURE IS USED
CONSULT FACTORY.

10 X 2 BRAKE
12 VOLTS

1-26115

WARNER ELECTRIC BRAKE & CLUTCH CO.

BELOIT, WISCONSIN U. S. A.

ECO-2809	11-17-72	DATE	BY
ECO-2809	11-17-72	DATE	BY
ECO-2809	11-17-72	DATE	BY

SCALE 1" = 1"