

REFRIGERATORS WITH
AUTOMATIC IGNITION

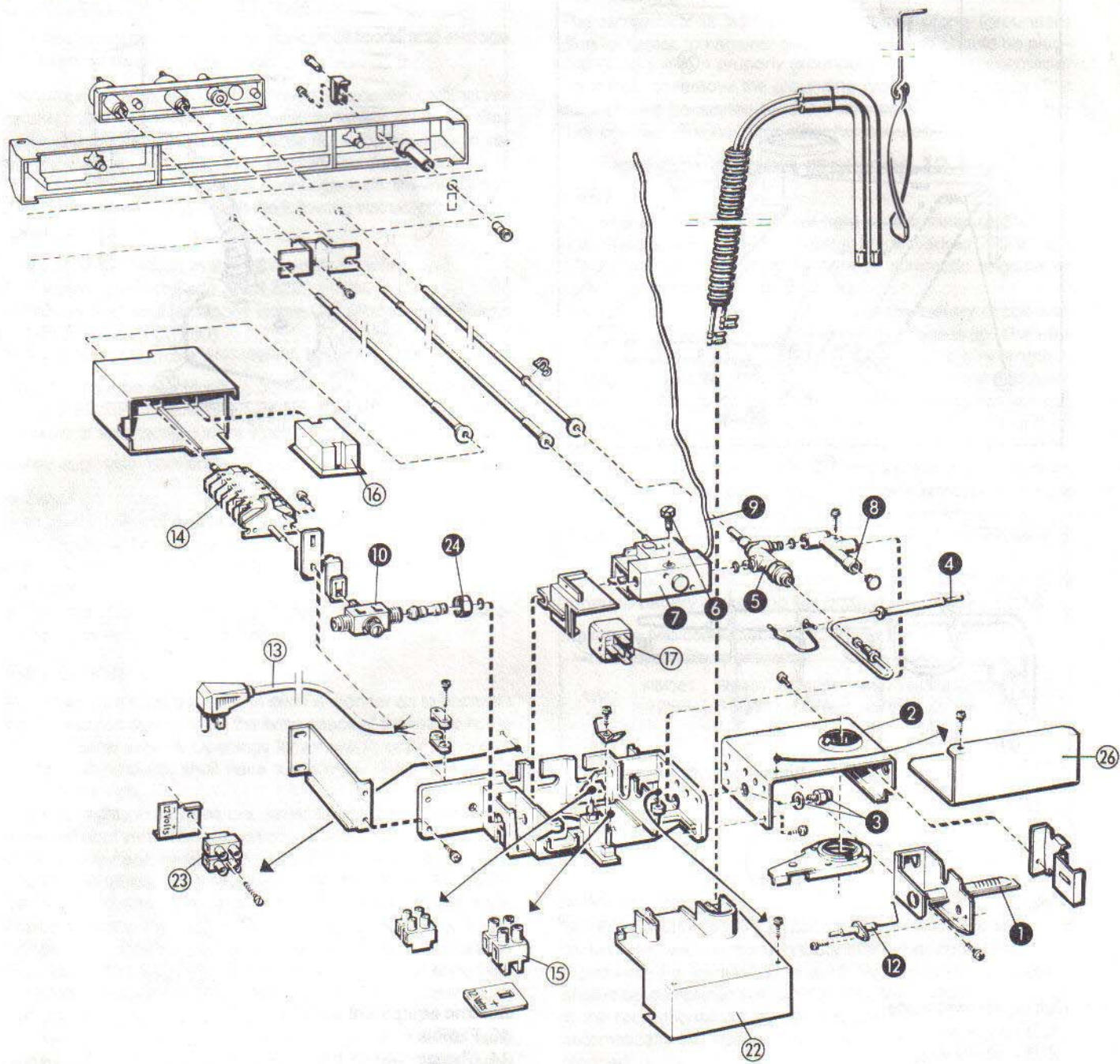


Fig. 1b

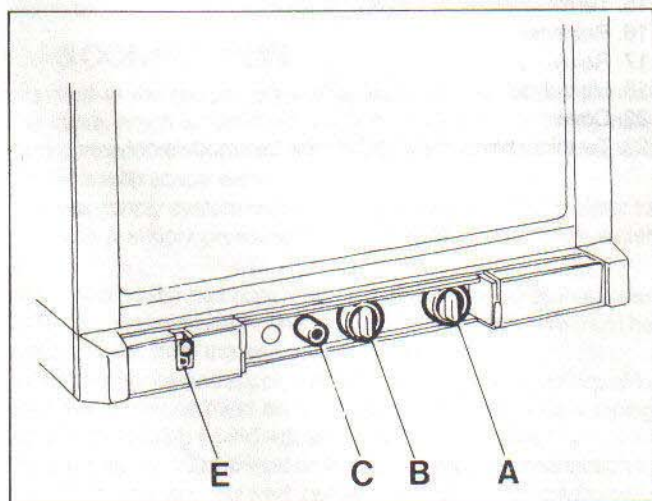


Fig. 4b.